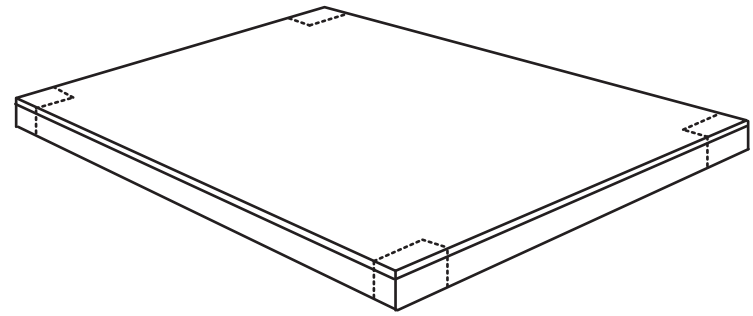
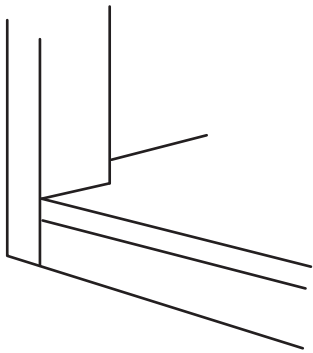


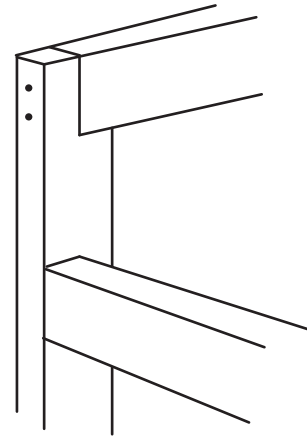
- Cut plywood to size
- Cut 1x3 boards to size, mitering the corners
- Attach 1x3 boards to the bottom of the plywood
– I used woodglue and finishing nails



- Measure corner cut outs to the depth and width of the 1x2 boards
- Using a jig saw, cut out the corners



- Attach 1x2 to the base using nails and woodglue and a level or 90° angle for right angles



- Before attaching to the base, cut a notch at the top for the joint
- When attaching the horizontal boards, rest one on top of the notch, and secure the adjacent a couple inches lower for strength, and to avoid splitting the wood.